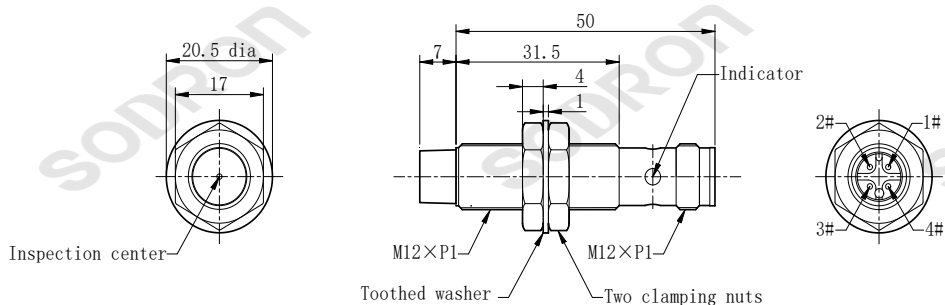




Model
SN12Y-□D□□-E

Dimension



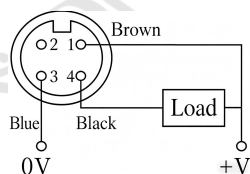
Product Features:

- ASIC, excellent anti-interference performance
- IP67
- UL certification

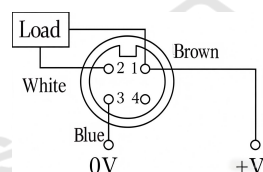
Technical parameter

Connection

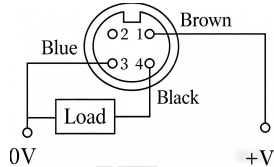
NPN-NO



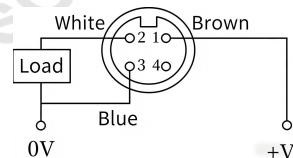
NPN-NC



PNP-NO



PNP-NC



Type	Non-flushed(Single-distance)			
Model	SN12Y-04DNA-E	SN12Y-04DPA-E	SN12Y-04DNB-E	SN12Y-04DPB-E
Sensing distance	4mm±10%			
Set distance	0~3.2mm			
Standard sensing object	Iron sheet 12X12X1mm			
Response frequency	0.8KHz			
Repeat accuracy	< 3% sensing distance			
Type	Non-flushed(Double-distance)			
Model	SN12Y-08DNA-E	SN12Y-08DPA-E	SN12Y-08DNB-E	SN12Y-08DPB-E
Sensing distance	8mm±10%			
Set distance	0~6.4mm			
Standard sensing object	Iron sheet 24X24X1mm			
Response frequency	0.8KHz			
Repeat accuracy	< 5% sensing distance			
Output mode	NPN	PNP	NPN	PNP
Output state	NO	NO	NC	NC
Hysteresis error	1%~15% sensing distance			
Current consumption	< 15mA			
Power supply	10~30V DC			
Load current	< 200mA			
Residual voltage	< 2.5V(load current at 200mA 2m cable)			
Indicator light	Yellow LED			
Circuit protection	reverse connection protection , short-circuit protection, surge absorption			
Temperature effect	-25°C~70°C ±10% of sensing distance at +23°C			
Ambient temperature	work:-25°C ~ +70°C store: -25°C ~ +70°C			
Ambient humidity	work: 35~95% store: 35~95%			
Withstand voltage	500V AC,50/60Hz 1min between current-carrying part and case			
Insulation resistance	> 20MΩ (DC500V) between current-carrying part and case			
Anti-vibration	10~55Hz, amplitude 1.5mm for 2H in X,Y,Z directions			
Anti-impact	500m/s ² for X,Y,Z directions (50G) 3 times			
Protection degree	IEC IP67			
Connection	Connector M12			
Material	Front	PBT		
	Housing	Nickel-plated brass		
	Connector	M12: PC ; Pins: Copper plated with gold		